

FURUNO®

8" FACSIMILE RECEIVER

Model FAX-208 MARK-2

The FURUNO FAX-208 MARK-2 is an economical marine facsimile receiver and printer packed in a single compact unit.

It provides high-contrast, high-resolution printing of weather charts, text, and satellite images in eight tones on 8-inch thermal paper.

The FAX-208 MARK-2 is equipped with a high-performance frequency synthesizer for multi-channel flexibility and reception of all existing facsimile stations.

If new frequencies come, you can easily set the synthesizer to tune them in (up to 310 user-defined channels maximum).

The unique automatic scanning feature selects an optimum frequency to give stable reception and the best possible picture.

The FAX-208 MARK-2 can incorporate an optional NAVTEX module for unattended reception of both weather and maritime safety information. While the receiver is working to print facsimile message, the NAVTEX messages are stored in memory to be printed later. Upon receiving the search and rescue alert, the FAX-208 MARK-2 suspends the facsimile message to print the NAVTEX alert message.



- High contrast, 8-gray tone weather maps and satellite images on 8" thermal paper
- Wide frequency coverage: 80 kHz - 25 MHz
- Timer for 16 hours of operation
- Low power consumption
- Easy selection of all known channels plus 310 user-defined channels
- Automatic search for optimum receiving channel
- Long-life thermal printing head
- Optional NAVTEX receiver module



The future today with FURUNO's electronics technology.

FURUNO ELECTRIC CO., LTD.

9-52 Ashihara-cho, Nishinomiya City, Japan Telephone: +81 (0)798 65-2111
Telefax: +81 (0)798 65-4200, 66-4622, 66-4623

Catalogue No. FX-615b

TRADE MARK REGISTERED
MARCA REGISTRADA

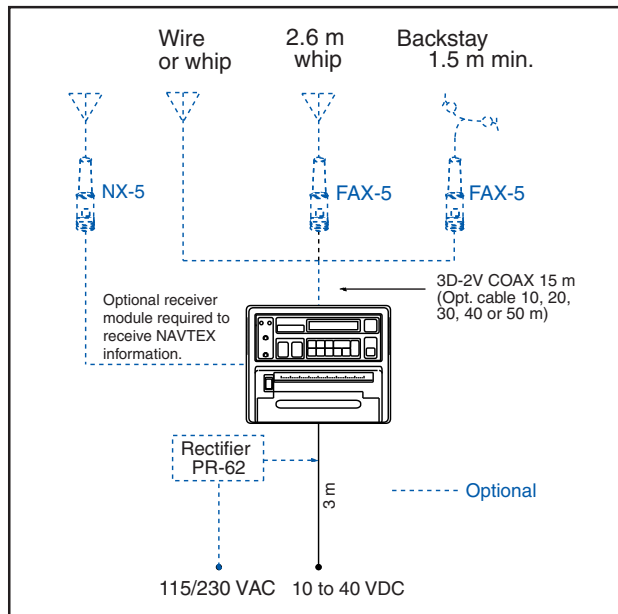
SPECIFICATIONS OF FAX-208 MARK 2

RECEIVER CHARACTERISTICS

- 1. Frequency Range**
80 kHz to 160 kHz, 2 MHz to 25 MHz
- 2. Number of Channels**
All existing (*) channels plus 310 user-define channels
(* known to Furuno at the time of production)
- 3. Receiving System**
Double-conversion superheterodyne
IF: 50.0 MHz and 455 kHz
- 4. Mode of Reception**
F3C, J3C (USB/LSB switchable)
- 5. Sensitivity (F3C, J3C)**
80 to 160 kHz: 10 μ V at 20 dB SINAD
2 MHz to 25 MHz: 2 μ V at 20 dB SINAD
- 6. Selectivity (F3C, J3C)**
Bandwidth: 2.4 kHz at -6 dB
Attenuation: 8 kHz at -60 dB

RECORDER CHARACTERISTICS

- 1. Recording System**
Thermal head printing. 8-inch thermal paper
- 2. Scanning Speed**
60, 90, 120 or 240 rpm
- 3. Gradation**
8 levels
- 4. Phase Control**
Automatic or manual
- 5. Operation**
Automatic* or manual
*By W.M.O. remote control signal
Schedule Timer 16 programs/day



NAVTEX RECEIVER (Optional)

- 1. Frequency**
518 kHz
- 2. Message Memory**
7,000 characters, 30 ID codes
- 3. Format**
79 characters/line, 13 x 9 dot matrix
- 4. Print Speed**
27 characters/sec

POWER SUPPLY

10 to 40 VDC, less than 30 W

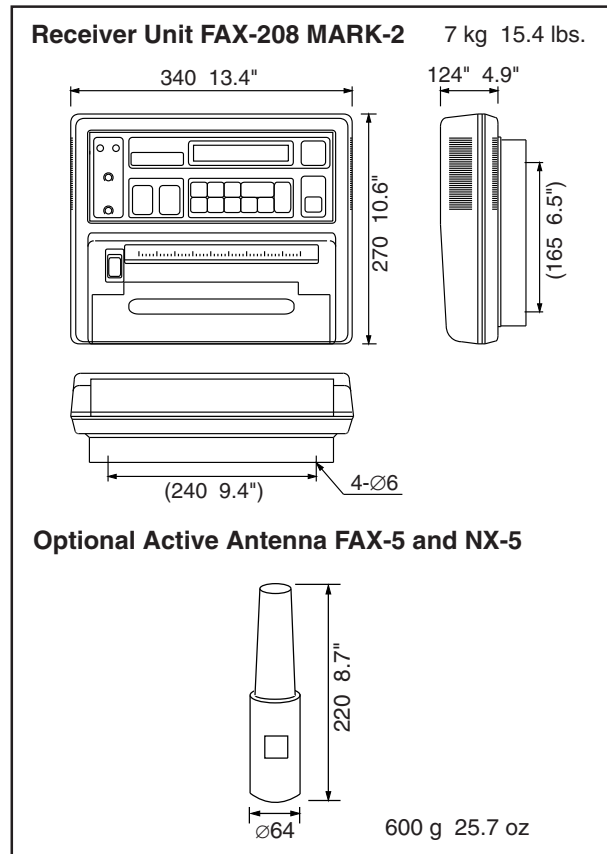
EQUIPMENT LIST

Standard

1. Main unit FAX-208 MARK 2 with 1 roll of thermal paper
2. Installation materials and spare parts

Optional

1. Active antenna (pre-amp unit) FAX-5 with 15 m cable
2. NAVTEX receiver module OP08-2 (built-in type)
3. NAVTEX antenna (pre-amp unit) NX-5 with 0.6 m cable
4. 2.6 m whip antenna O4S4176
5. Extension cable OP04-2 (10, 20, 30, 40 or 50 m)
6. Rectifier PR-62



SPECIFICATIONS SUBJECT TO CHANGE WITHOUT NOTICE

FURUNO U.S.A., INC.

Camas, Washington, U.S.A.
Phone: +1 360-834-9300 Telefax: +1 360-834-9400

FURUNO (UK) LIMITED

Denmead, Hampshire, U.K.
Phone: +44 1705-230303 Telefax: +44 1705-230101

FURUNO FRANCE S.A.

Bordeaux-Mérignac, France
Phone: +33 5 56 13 48 00 Telefax: +33 5 56 13 48 01

FURUNO ESPANA S.A.

Madrid, Spain
Phone: +34 91-725-90-88 Telefax: +34 91-725-98-97

FURUNO DANMARK AS

Hvidovre, Denmark
Phone: +45 36 77 45 00 Telefax: +45 36 77 45 01

FURUNO NORGE A/S

Ålesund, Norway
Phone: +47 70 102950 Telefax: +47 70 127021

FURUNO SVERIGE AB

Västra Frölunda, Sweden
Phone: +46 31-709 89 40 Telefax: +46 31-49 70 93

FURUNO SUOMI OY

Helsinki, Finland
Phone: +358 9 341 7570 Telefax: +358 9 3417 5716

99073T Printed in Japan

